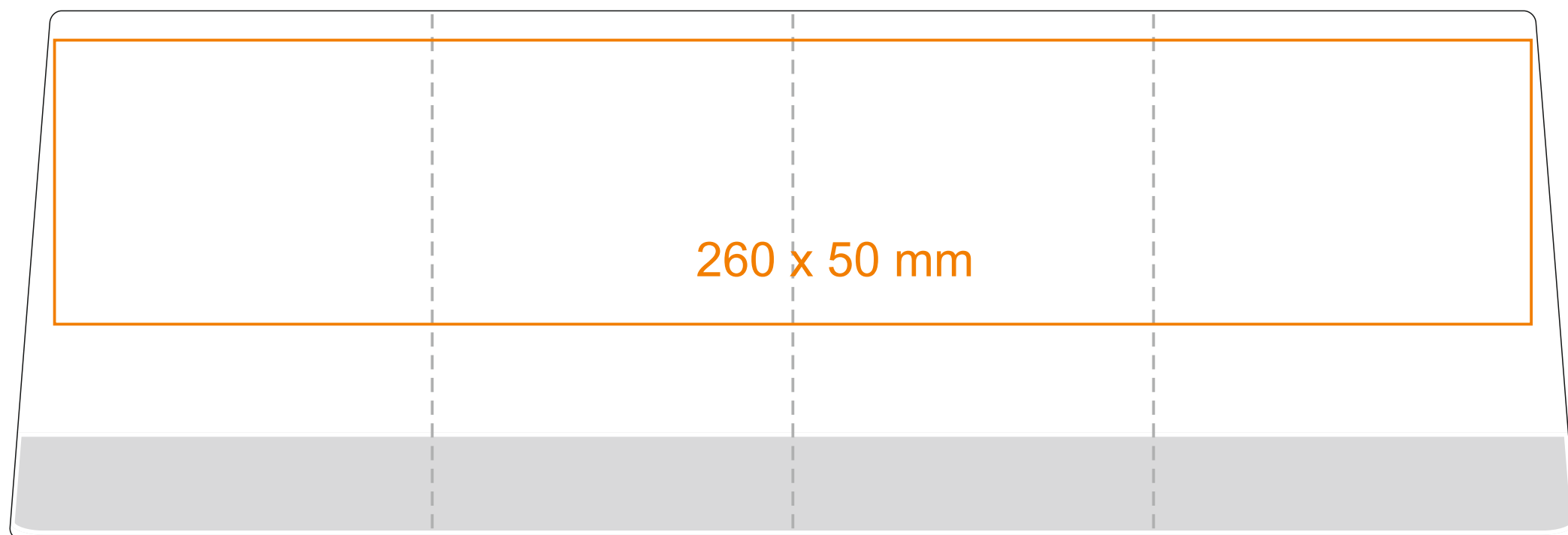
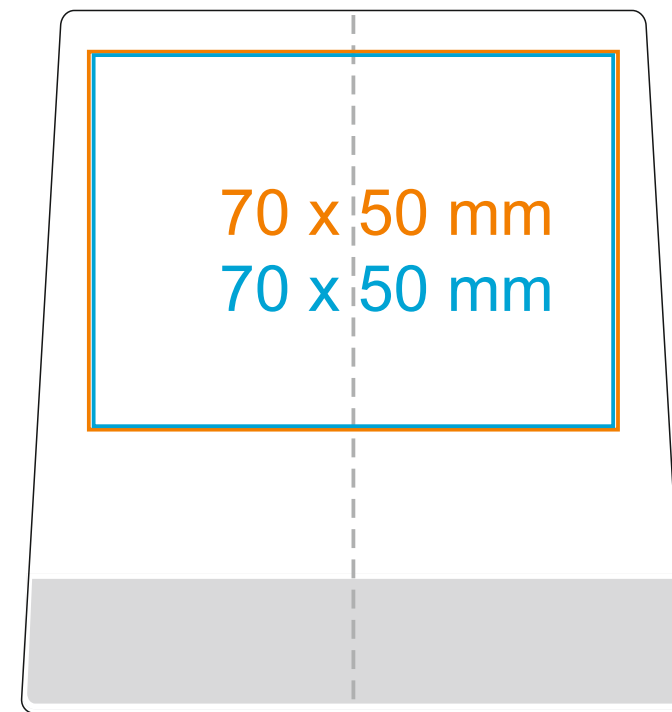
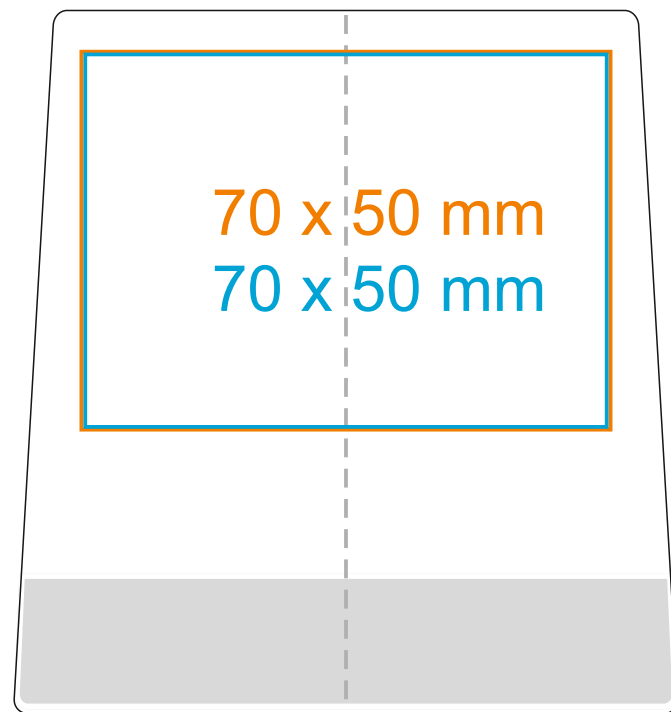


G_536 Douglas

340 ml / h: 93 mm / Ø 77 mm



*In the case of projects for transfer print running outside of the standard print area, please contact our sales department.

[How to prepare print material](#)

meaning

- Transfer Print
- Laser Engraving